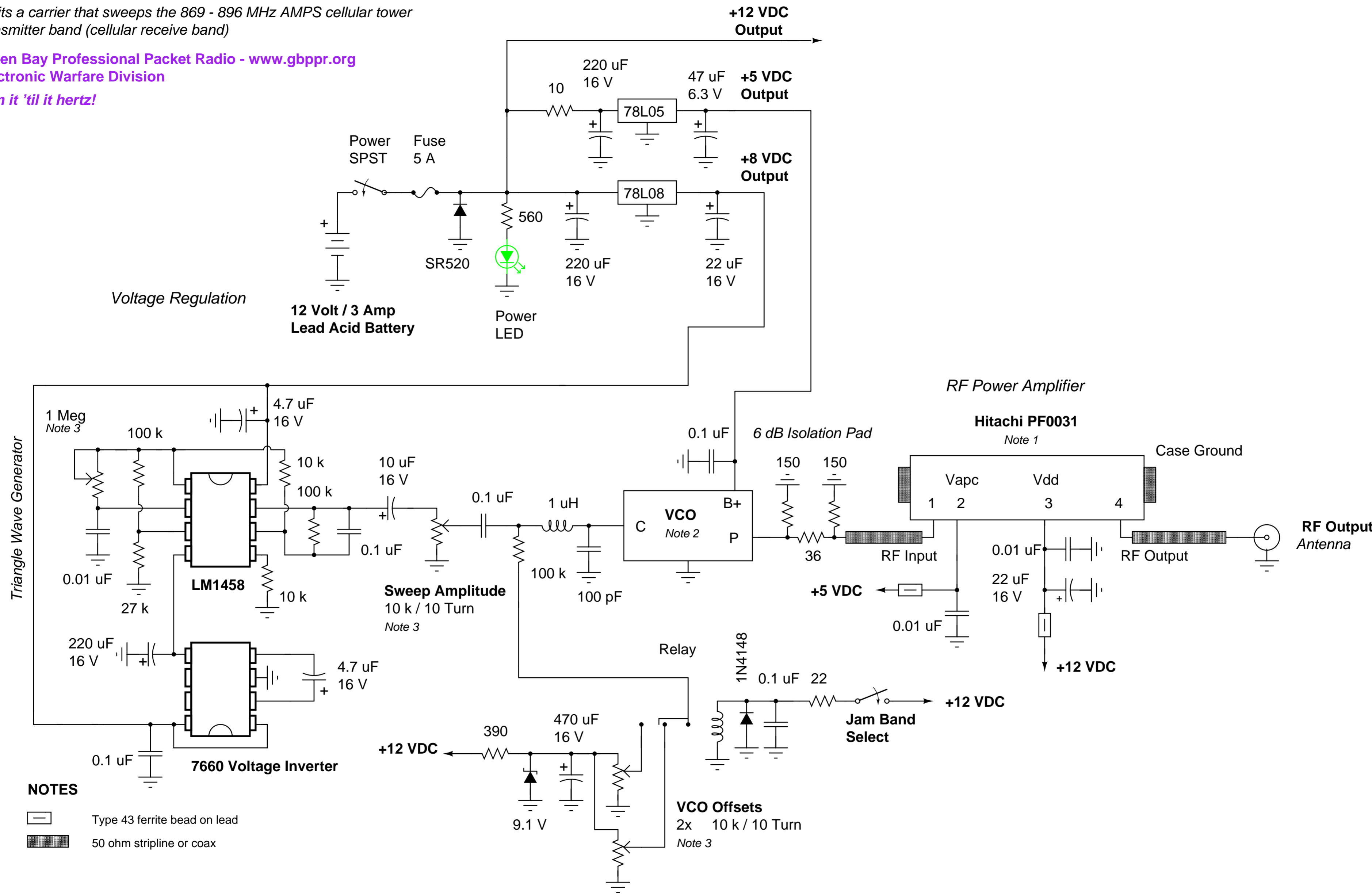
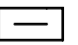



Portable AMPS Cellular Phone Jammer - Dual Purpose

Emits a carrier that sweeps the 869 - 896 MHz AMPS cellular tower transmitter band (cellular receive band)

Green Bay Professional Packet Radio - www.gbppr.org
 Electronic Warfare Division
 Jam it 'til it hertz!



- NOTES**
-  Type 43 ferrite bead on lead
 -  50 ohm stripline or coax

Note 1 6 watt power amplifier. Can use a PF0030 with slight power loss. Refer to datasheets for mounting information.

Note 2 836 MHz VCO from old cellular phone. Run out of spec. Replace with the the correct VCO module, if possible
 Or, optionally, use a Zcomm V580MC05 VCO module - use +10 VDC

Note 3 Tweak pots to get a sweeping carrier from around 868 to 897 MHz.
 Tweak second pot for an alternate lower or higher jamming band.